

Solar lantern M550

Compact, bright and maintenance-free solar lantern for buoys, docks and watercraft.

Absolutely waterproof, UV-resistant and vandal-proof.

Flash frequency individually adjustable via programming device. Available with or without switch for complete shutdown when not in use.



Technical Data

Casing	Plastic
Protection	IP 68
Weight	0.4kg
Source of light	LED
Temperature	-30°C to +50°C
Mounting	flange mounting 2x M6 screws
Battery	NiMH AA, 3.6V/1.1Ah capacity
Life cycle	10 years, battery 5 years
Visibility	1-2 NM (approx.3.7km)
Beam angle	360° (horizontal) > 8° (vertical)
Max. intensity	WH 29cd RD 18cd GN 23cd YE 25cd BL 8cd

Options (not retrofittable)

- ON/OFF switch

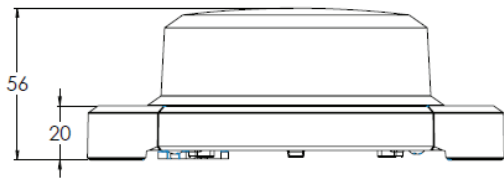
Accessory

- Programming device
- Bird deterrent
- Replacement battery
- Pole mount replacement/conversion kit

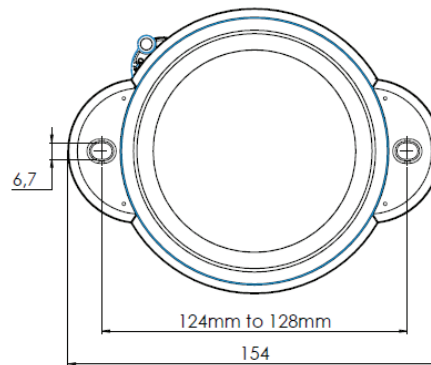
Order Information

Order number	M550cc-F-v
Color code (cc)	WH white YE yellow RD red GN green BL blue
Mounting (F)	F flange mounting
Option (v)	S with ON/OFF switch - without ON/OFF switch

Side view



Top view



Hugentobler Spezialleuchten AG

Brunnenwiesenstrasse 14

CH - 8570 Weinfelden

Tel. +41 71 626 20 40

info@spezialleuchten.ch

www.spezialleuchten.ch



Signalling and alarm lights



Special lights for aviation and navigation



Tunnel safety lights