

Port entrance lantern Type 422

Lantern for fixed and floating aids to navigation in robust and stable construction. The casing is made of water-resistant aluminium and the lenses are of PMMA. A bird deterrent is included in the delivery.

The lantern has a wide range of possible identifications and thanks to the different versions, visibility ranges between 3 and 12 nautical miles can be achieved. It can be programmed and operated using Bluetooth® from a distance of up to 50 metres.

Due to low power consumption, the lantern is also suitable for solar and battery operation.

Used for marking port entrances and maritime obstacles.



Technical Data

| | | |
|---|--|----------|
| Casing | Aluminium ALSi12, anodised and powder-coated | |
| Protection | IP 67 | |
| Weight | from 3.3 kg | |
| Source of light | LED | |
| Mounting | 3 or 4 screws | |
| Visibility | 3 - 12 nautical miles (TC=0.74) | |
| Beam angle | 5° ±1° vertical (N) 10° ±1° vertical (W) | |
| Maximum intensity with fixed light | N | W |
| | red 1150 cd | 620 cd |
| | green 1000 cd | 620 cd |
| | white 1850 cd | 1100 cd |
| | yellow 1200 cd | 720 cd |
| Voltage | 10-32V DC | |
| Power consumption | 12W - 17W | |
| Temperature | -40°C to +60°C | |

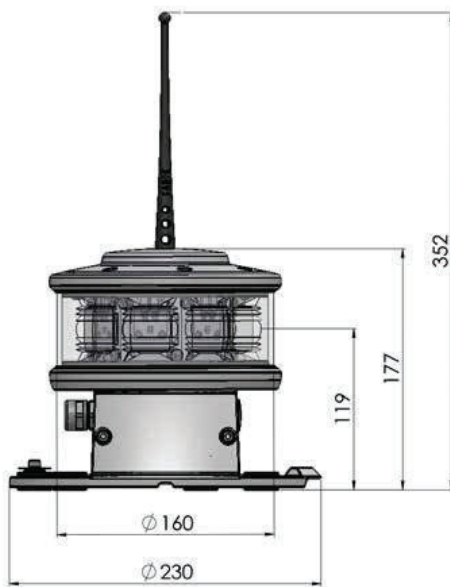
Execution and Accessory

| | |
|------------------|---|
| Execution | Inspection window and PMMA lenses |
| Options | GPS based synchronisation, Sector cover, Login for programming by APP |
| Accessory | Programming device, pole, power supply unit |

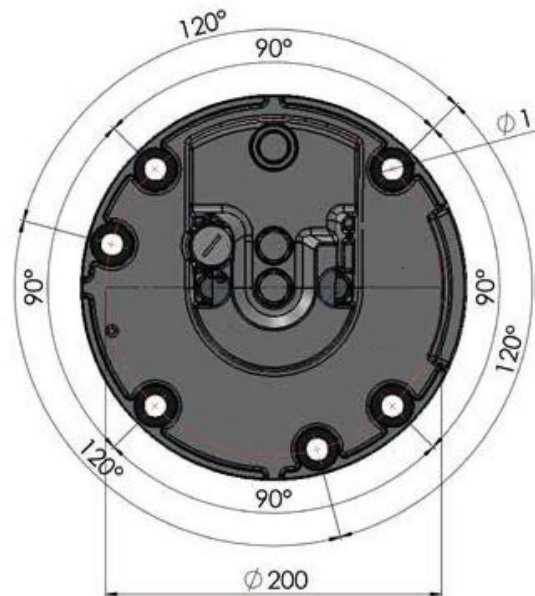
Order Information

| | | |
|------------------------|--|--|
| Order number | 422-cc-10-32-w | |
| Color code (cc) | WH white, YE yellow, RD red, GN green | |
| Beam angle (w) | N 5° ±1° vertical W 10° ±1° vertical | |

Side view



Bottom view



Hugentobler Spezialleuchten AG

Brunnenwiesenstrasse 14

CH - 8570 Weinfelden

Tel. +41 71 626 20 40

info@spezialleuchten.ch

www.spezialleuchten.ch



Signalling and alarm lights



Special lights for aviation and navigation



Tunnel safety lights